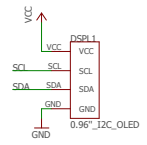
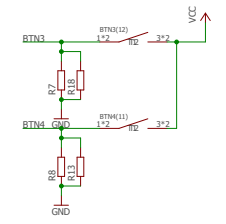
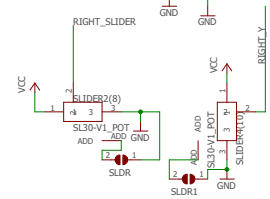
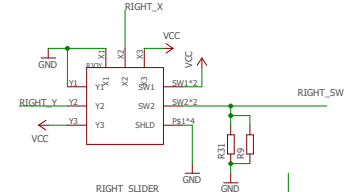
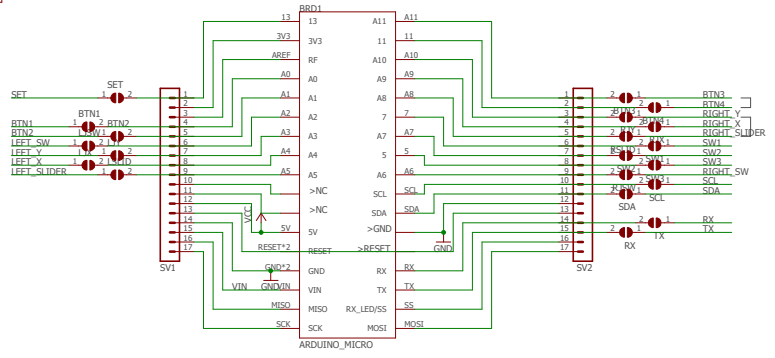


VOLTBRO\_LOGO



0.96" I2C\_OLED